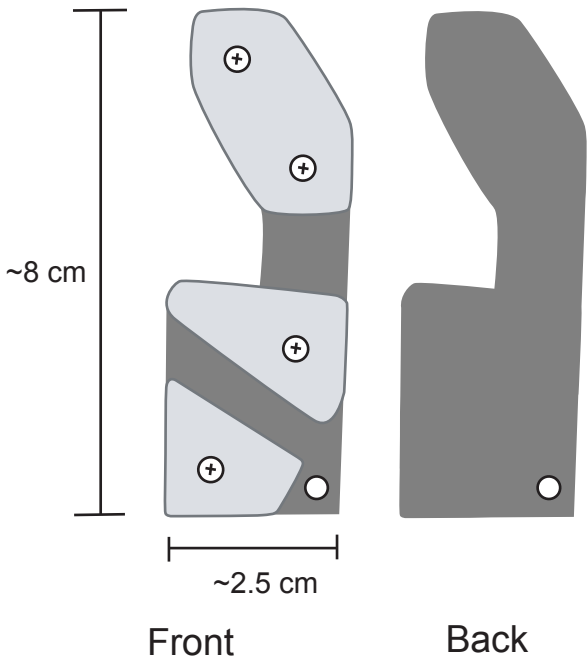
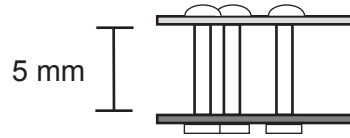


Top View



Side View



Photo

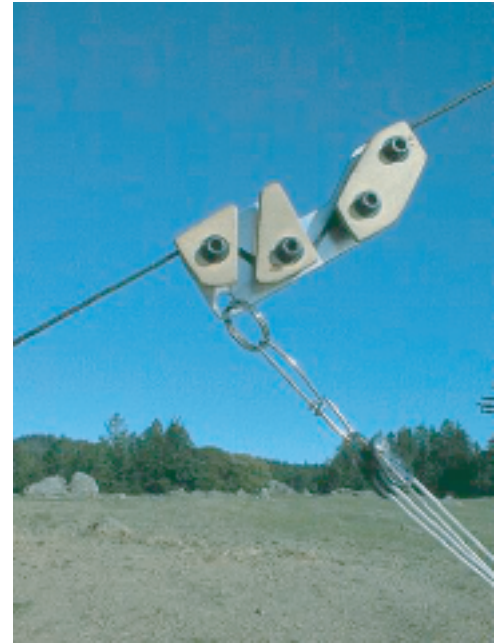
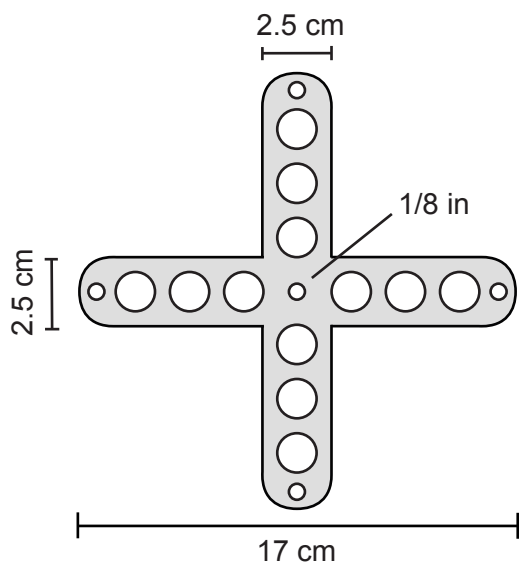
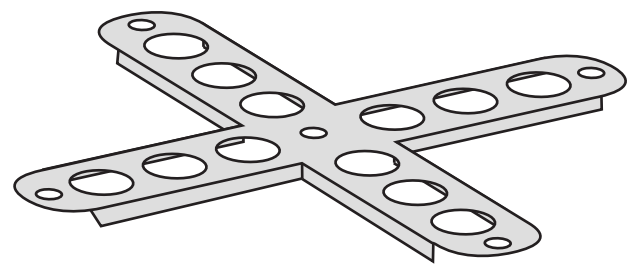


Photo by Cris Benton

Top View



Oblique View



Aluminum thickness: ~1.5mm for all parts